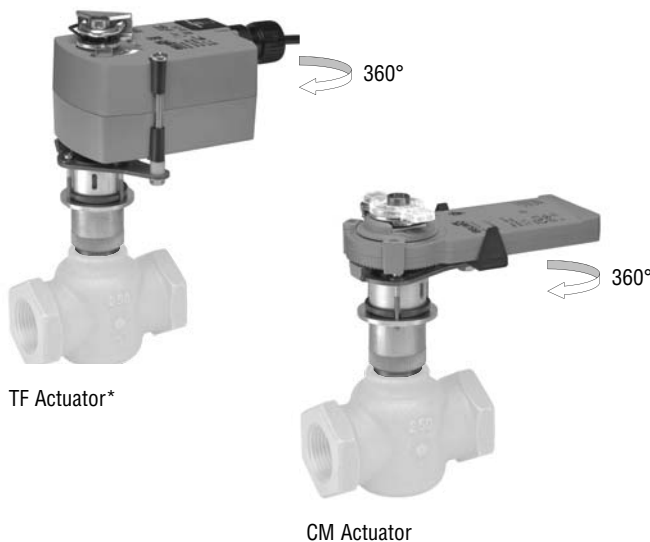




Technical Data	UGSL1200
Housing	aluminum
Materials:	
Coupling nut	brass
Shafts	stainless steel
Base plate	aluminum
Upper plate	stainless steel
Cams	nylon 6/6 with MDS
Stroke	5.5 mm in CW direction
Max out torque	67 force lbs
Mounting position	360° mountable as shown
Ambient temperature	-22°F to 122°F [-30°C to 50°C]
Storage temperature	-40°F to 176°F [-40°C to 80°C]
Servicing	chilled or hot water max steam inlet 15 psi
Weight	1.25 lbs [0.57 kg]

Mounting Configurations



Application

The UGSL1200 retrofit kit is designed to easily attach to the valve bonnet on select Siemens 599 MT/MZ short-stroke valves utilizing Belimo CM and TF* series actuators.

The unique coupler design allows the UGSL1200 to be mounted on any 1/2" to 1 1/4" two-way or three-way valves. In addition, the linkage is suitable for both normally open and normally closed valves.

Default/Configuration

The default set up for this linkage is for usage with the CM actuator. Included in the kit is an extension piece for TF actuators. Hardware is supplied to attach the shaft extension and anti-rotation screws to both a CM or TF actuator.

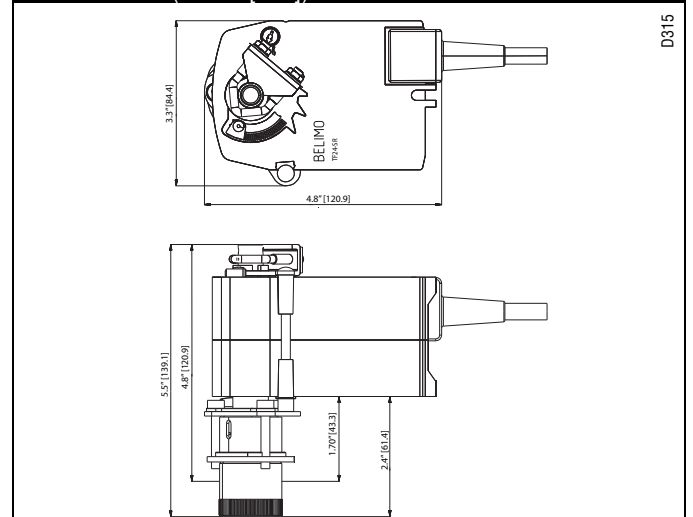
Operation

The UGSL1200 linkage provides 5.5 mm of downward stroke with 95° CW rotation on the actuator. This allows the valve to extend fully open or closed based on signal. The slot located on the housing provides indication when the maximum stroke has been reached. For troubleshooting when using a CM actuator, the operator may use the manual override feature to rotate the linkage up or down. When using the TF, refer to electronic override instructions according to actuator model.

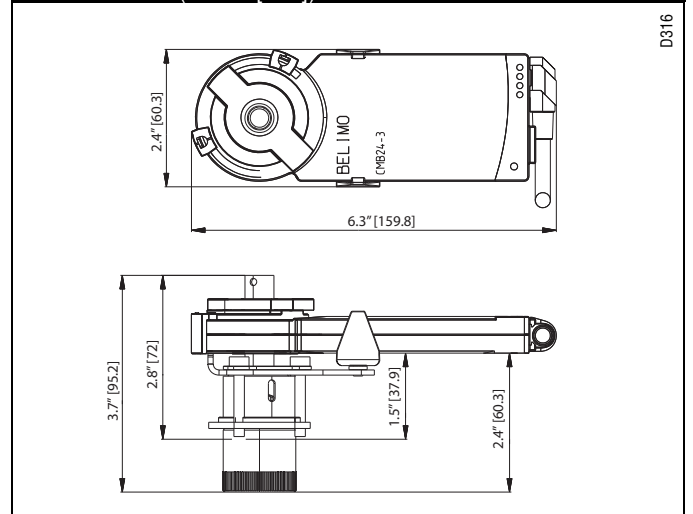
Note: Linkage cannot be used on 1 1/2" normally closed valves.

***Use with on/off TF actuators pending approval.**

TF Dimensions (Inches [mm])



CM Dimensions (Inches [mm])



M40045 - 07/11 - Subject to change. © Belimo Aircontrols (USA), Inc.